

# Product data sheet

## Characteristics

# 9070T500D2

Transformer, Type T, industrial control, 500 VA, 240/480 VAC primary / 24 VAC secondary, 1 phase, 50/60 Hz, 115 °C rise



Product availability: Stock - Normally stocked in distribution facility

Price\*: 471.00 USD



### Main

|                           |                                |
|---------------------------|--------------------------------|
| Product or component type | Industrial Control Transformer |
| Rated power in VA         | 500 VA                         |
| Range of product          | T                              |

### Complementary

|                       |   |
|-----------------------|---|
| Phase                 | 1 phase   |
| Rated power in VA     | 500 VA UL<br>500 VA CSA<br>500 VA NOM<br>300 VA |
| Temperature rise      | 115 °C  |
| Electrical connection | Screw clamp terminals                           |
| Height                | 3.84 In (97.54 mm)                              |
| Width                 | 4.5 In (114.30 mm)                              |
| Depth                 | 5.49 In (139.45 mm)                             |
| Material              | Copper winding                                  |
| Product compatibility | FSC2  |

### Environment

|                           |  |
|---------------------------|--|
| Product certifications    | CSA file LR37055 guide 184-N-90<br>UL listed file E61239 |
| NEMA degree of protection | Not rated (open device)                                  |
| Insulation temperature    | 356 °F (180 °C)  |

## Ordering and shipping details

|                       |                                    |
|-----------------------|------------------------------------|
| Category              | 16201 - 9070 T (NOT TF) 250-2000VA |
| Discount Schedule     | CP8                                |
| GTIN                  | 00785901845447                     |
| Nbr. of units in pkg. | 1                                  |
| Package weight(Lbs)   | 11.90 Lb(US) (5.398 kg)            |
| Returnability         | Yes                                |
| Country of origin     | MX                                 |

## Packing Units

|                        |                     |
|------------------------|---------------------|
| Unit Type of Package 1 | PCE                 |
| Package 1 Height       | 6.50 In (16.51 cm)  |
| Package 1 width        | 6.80 In (17.272 cm) |
| Package 1 Length       | 7.50 In (19.05 cm)  |

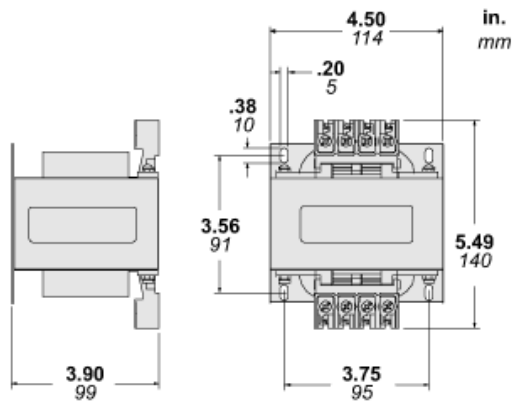
## Offer Sustainability

|                            |   |
|----------------------------|---|
| Sustainable offer status   | Green Premium product   |
| California proposition 65  | WARNING: This product can expose you to chemicals including: Phenyl glycidyl ether, which is known to the State of California to cause cancer and birth defects or other reproductive harm. For more information go to <a href="http://www.P65Warnings.ca.gov">www.P65Warnings.ca.gov</a> |
| REACH Regulation           | <a href="#">REACH Declaration</a>   |
| EU RoHS Directive          | Compliant <a href="#">EU RoHS Declaration</a>   |
| Mercury free               | Yes   |
| RoHS exemption information | <a href="#">Yes</a>   |
| China RoHS Regulation      | <a href="#">China RoHS Declaration</a>  |
| Environmental Disclosure   | <a href="#">Product Environmental Profile</a>   |
| PVC free                   | Yes   |

## Contractual warranty

|          |          |
|----------|----------|
| Warranty | 10 Years |
|----------|----------|

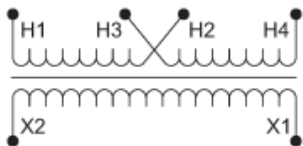
Approximate Dimensions



Connections and Wiring Diagrams

Voltage and Connection Options

| Voltage Code | Voltages  |           | Connections   |                      |
|--------------|-----------|-----------|---|----------------------|
|              | Primary   | Secondary | Primary   | Secondary            |
| D2           | 240 x 480 | 24        | 240: Connect to H1 and H4<br>Jumper H1 with H3<br>Jumper H2 with H4<br>480: Connect to H1 and H4<br>Jumper H2 with H3 | Connect to X1 and X2 |
| D23          | 120 x 240 | 24        | 120: Connect to H1 and H4<br>Jumper H1 with H3<br>Jumper H2 with H4<br>240: Connect to H1 and H4<br>Jumper H2 with H3 |                      |
| D89          | 115 x 230 | 24        | 115: Connect to H1 and H4<br>Jumper H1 with H3<br>Jumper H2 with H4<br>230: Connect to H1 and H4<br>Jumper H2 with H3 |                      |
| D92          | 230 x 460 | 24        | 230: Connect to H1 and H4<br>Jumper H1 with H3<br>Jumper H2 with H4<br>460: Connect to H1 and H4<br>Jumper H2 with H3 |                      |



Product Life Status : Commercialised